

VH 3500
Starting at \$13,499

Closed Loop
\$15,498

- PVC Perforated Floor Grate
- Floor Supported w/ Stainless Angle Holds Over 500lbs.
- Production Blast Gun (10mm Boron Carbide Tip)
- 12Ga. 304 Stainless Steel Construction
- Open Loop System (Add Closed Loop Filtration System see below)
- Holds 35 Gallons of Water & 30lbs Abrasive at all Times
- Requires 15-20 CFM @ 60-100 PSI
- Industrial Pump
(Polyurethane Impeller)
- Internal Rinse Nozzle
- Window Wash Bar
- Foot Pedal Controlled Blast Gun
- 3 LED Light Bar



Requires a Crate for Shipping \$450.00



Optional Add-Ons

- | | |
|---------------------------|-----------|
| • Locking Caster Kit | \$300.00 |
| • Protective Blasting Mat | \$50.00 |
| • Blasting Gun Mount | \$250.00 |
| • Basin Caster Kit (CL) | \$150.00 |
| | |
| • Abrasive Density Meter | \$1000.00 |
| • Rubber Lined Walls | \$600.00 |
| • Immersion Heater | \$375.00 |
| • 20" Turntable | \$550.00 |



Work Space: 60"Wx30"Dx38"H

Machine Footprint: 75"Wx38"Dx7'H

Front Opening: 52"Wx35"H

Weight: Approx. 1100lbs.

- Track & Car System

\$2000.00

CL Basin 23"Wx34"L (Add 70 lbs.)

VH3500 Specifications

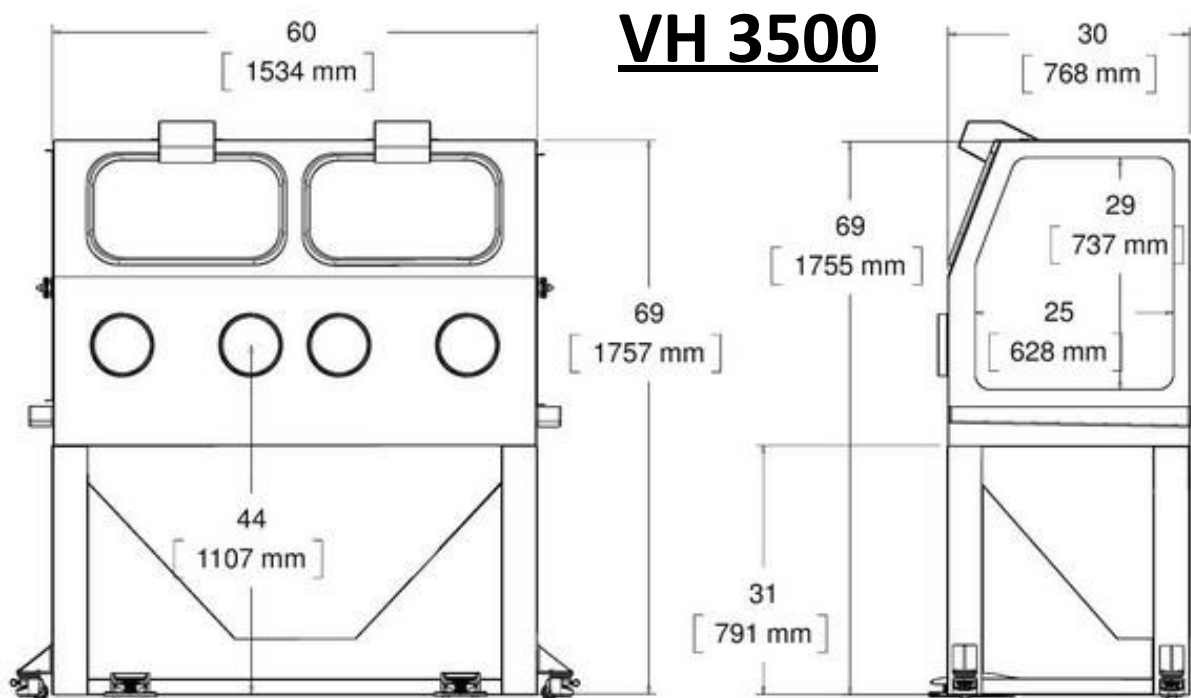
Standard Features

- 60"W x 30"D x 38"H inside work space.
 - Total machine foot print 75"W x 38"D x 7'H
 - Durable Stainless Steel 12ga construction
 - 110v Single Phase Power
 - High Output LED lights for better work space visibility.
 - GFCI Protection Hardwired into main power line
 - High volume pump w/ overload protection
 - Pump agitation for greater slurry mixing and cleaning effect
 - Production Blast Gun with boron carbide insert
 - 20-100psi @ 15-20 CFM
 - 35 gallons of water and 30lbs of abrasive media needed to charge machine
 - Rated 100% duty cycle
 - 2yr warranty on submersible slurry pump system
- Minimum 5hp compressor recommended capable of 14-18 CFM or greater

Optional Features

- Heavy Duty Caster/ Levelers
- 220V Single Phase Power (50Hz or 60H)
- Abrasive Density Meter (\$1000)
- Rubber Lined Walls for Abrasion Resistance (\$600)
- Immersion Heater (\$375)
- 24" Turntable (\$550)
- Track & Car System (\$2000)

VH 3500



Machine Footprint: 75"Wx38"Dx7'H

Front Opening: 52"Wx35"H

Weight: Approx