

ZeroMist™ OM3600

Specifications



Specifications

Filter Cartridges: (3) First stage fiber bed filter with self draining media
 (3) First stage fiber bed filter with self draining media
 (3) Third stage HEPA H13 filter, 99.95% efficient at 0.3 microns

Filter Media : Self draining filters allow for capture and reuse of oil

Motor/Blower: 10 HP, Direct Drive, Backward Incline Blower

Electrical Requirements:
 3 Ph: 208, 240, or 460 Volt, 2.1-4.6A
 1 Ph: 120, 208, or 230 Volt, 8A-16A

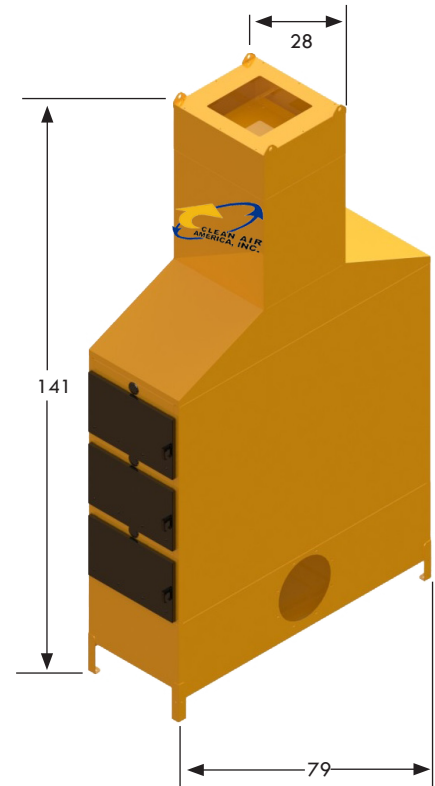
Air Flow: 3,600 CFM

Oil Draining: Integrated 1 inch NPT drain on bottom of plenum

Silencing: Internal Noise Abatement in Motor/Blower Compartment,
 60-74 DBA

Weight: 1,350 lbs

Dimensions of Unit: 141"H x 28"W x 79"D



Standard Features

Electrical: NEMA 12 electrical enclosure with integrated disconnect switch, motor starter, overload, and start/stop button.

Paint: Powder coat finish, standard Clean Air colors to custom colors

Steel Construction: 100% recycled heavy duty 12 gauge steel

Optional Features

VFD: A Variable Frequency Drive for soft start and increased motor life.

Economizer: Automatic start/stop based on machining unit

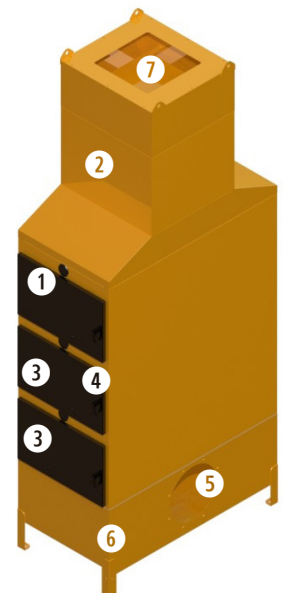
Pump: Optional pump for automatic lubricant recycling

Legs: 24" leg extensions

Prefilter Module: 24"x24"x4" metal mesh to filter out larger particles

Blower & Motor

- Blower: Backward incline, air foil high efficiency
- Direct drive, no belts or chains
- Three phase or single phase input power
 3 Ph. : 208, 240, or 460 Volt, 6A - 19A
 1 Ph. : 120, 208, or 230 Volt, 8A-16A
- 10 HP motor
- 3,450 RPM motor
- Air volume 3,600 CFM



- 1 HEPA H13 Filter
- 2 Motor/Blower Noise Abatement
- 3 Stage 1 & 2 Coalescing Fiber Bed Media
- 4 Large Handle Compression Latches and Removable Door
- 5 Dual Entry Plenum
- 6 Anchorable Legs
- 7 Return Air Outlet

